

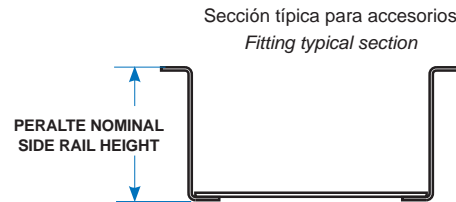
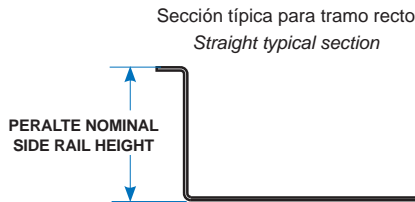
Sección 4.2

Soportería para cables tipo fondo sólido y fondo ventilado

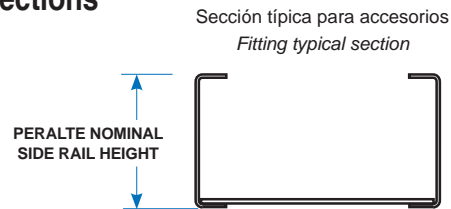
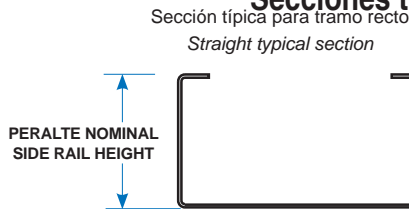
Section 4.2

Solid and ventilated trough type cable tray system

Secciones tipo "Z" • Form "Z" sections



Secciones tipo "C" • Form "C" sections



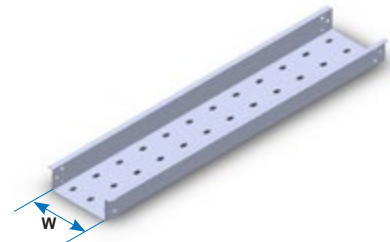
Sufijo para peralte	Peralte Nominal mm (pulg.)	Peralte Útil mm (pulg.)
0	50.8 (2")	50.8 (2")
1	82.5 (3 ¼")	82.5 (3 ¼")
2	101.6 (4")	101.6 (4")
3	114.3 (4 ½")	114.3 (4 ½")
5	127.0 (5")	127.0 (5")
6	152.4 (6")	152.4 (6")

CHZP-12-1 A

Tramo recto • Straight section

- Material y acabado • Material & finishes
- Sufijo p/peralte • Rail height suffix
- Ancho • Width
- Tipo de fondo • Trough type
- Tramo recto • Straight section

Ancho W Width W	Perfil tipo Z Form Z		Perfil tipo C C Form	
	Liso Solid	Ventilado Ventilated	Liso Solid	Ventilado Ventilated
101.6 (4)	CHZL-04	CHZP-04	CHCL-04	CHCP-04
152.4 (6)	CHZL-06	CHZP-06	CHCL-06	CHCP-06
228.9 (9)	CHZL-09	CHZP-09	CHCL-09	CHCP-09
304.8 (12)	CHZL-12	CHZP-12	CHCL-12	CHCP-12
406.4 (16)	CHZL-16	CHZP-16	CHCL-16	CHCP-16
457.2 (18)	CHZL-18	CHZP-18	CHCL-18	CHCP-18
508.0 (20)	CHZL-20	CHZP-20	CHCL-20	CHCP-20
609.6 (24)	CHZL-24	CHZP-24	CHCL-24	CHCP-24
762.0 (30)	CHZL-30	CHZP-30	CHCL-30	CHCP-30
914.4 (36)	CHZL-36	CHZP-36	CHCL-36	CHCP-36



Longitud estándar 3.05 m (10 ft).
Para longitudes diferentes consulte nuestro departamento de ingeniería.

Standard length 3.05 m (10 ft).
For other lengths refer to our technical department.

Incluye 2 conectores y tornillería • Two connectors and hardware included

Materiales y acabados:

- A:** Aluminio aleación AA 3003 acabado natural
- GI:** Acero al carbón galvanizado por inmersión/ Lámina galvanizada
- GE:** Acero al carbón Galvanizado electrolítico
- T:** Acero al carbón Tropicalizado
- AI:** Acero inoxidable

Para materiales y acabados no indicados consulte nuestro departamento de ingeniería.

Todas las dimensiones en mm (pulg)

Materials & finishes:

- A:** AA-3003 natural finished aluminum
- GI:** Hot dip galvanized steel/ Galvanized sheet
- GE:** Electro galvanized steel
- T:** Chromium-zinc coated steel
- AI:** Stainless steel

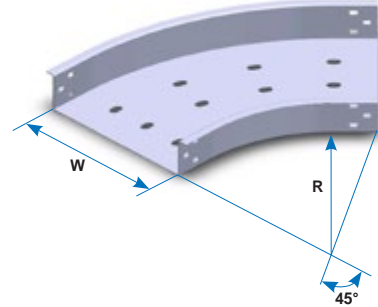
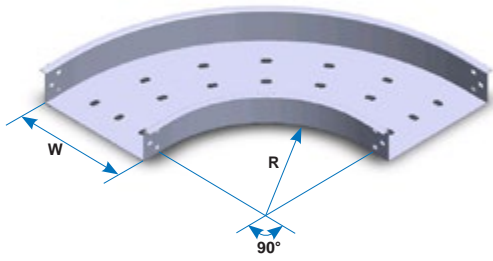
For materials and finishes not shown please consult our technical department.

All dimensions are in mm (in)

Curva horizontal a 45° y 90° • 45° & 90° Horizontal bend

VHZP-12R890-1 A

- Material y acabado (ver pag 69) • *Material & finishes (see page 69)*
- Sufijo p/peralte (ver pag 69) • *Rail height suffix (see page 69)*
- Ángulo de la curva • *Angle bend*
- Radio • *Radius*
- Ancho • *Width*
- Tipo de fondo y perfil (ver pag 69) • *Rail & trough type (see page 69)*
- Curva horizontal • *Horizontal bend*



Números de catálogo para curva a 90° • 90° Bend's Catalog number

Ancho W Width W	Radio Radius			
	203.2 (8)	304.8 (12)	609.6 (24)	914.4 (36)
101.6 (4)	VH**-04R890	VH**-04R1290	VH**-04R2490	VH**-04R3690
152.4 (6)	VH**-06R890	VH**-06R1290	VH**-06R2490	VH**-06R3690
228.9 (9)	VH**-09R890	VH**-09R1290	VH**-09R2490	VH**-09R3690
304.8 (12)	VH**-12R890	VH**-12R1290	VH**-12R2490	VH**-12R3690
406.4 (16)	VH**-16R890	VH**-16R1290	VH**-16R2490	VH**-16R3690
457.2 (18)	VH**-18R890	VH**-18R1290	VH**-18R2490	VH**-18R3690
508.0 (20)	VH**-20R890	VH**-20R1290	VH**-20R2490	VH**-20R3690
609.6 (24)	VH**-24R890	VH**-24R1290	VH**-24R2490	VH**-24R3690
762.0 (30)	VH**-30R890	VH**-30R1290	VH**-30R2490	VH**-30R3690
914.4 (36)	VH**-36R890	VH**-36R1290	VH**-36R2490	VH**-36R3690

Números de catálogo para curva a 45° • 45° Bend's Catalog number

Ancho W Width W	Radio Radius			
	203.2 (8)	304.8 (12)	609.6 (24)	914.4 (36)
101.6 (4)	VH**-04R845	VH**-04R1245	VH**-04R2445	VH**-04R3645
152.4 (6)	VH**-06R845	VH**-06R1245	VH**-06R2445	VH**-06R3645
228.9 (9)	VH**-09R845	VH**-09R1245	VH**-09R2445	VH**-09R3645
304.8 (12)	VH**-12R845	VH**-12R1245	VH**-12R2445	VH**-12R3645
406.4 (16)	VH**-16R845	VH**-16R1245	VH**-16R2445	VH**-16R3645
457.2 (18)	VH**-18R845	VH**-18R1245	VH**-18R2445	VH**-18R3645
508.0 (20)	VH**-20R845	VH**-20R1245	VH**-20R2445	VH**-20R3645
609.6 (24)	VH**-24R845	VH**-24R1245	VH**-24R2445	VH**-24R3645
762.0 (30)	VH**-30R845	VH**-30R1245	VH**-30R2445	VH**-30R3645
914.4 (36)	VH**-36R845	VH**-36R1245	VH**-36R2445	VH**-36R3645

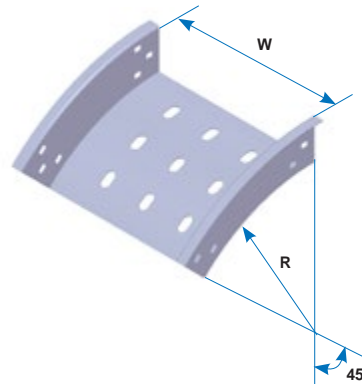
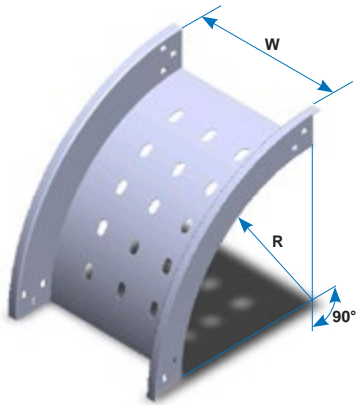
Incluye 2 conectores y tornillería • *Two connectors and hardware included*

Todas las dimensiones en mm (pulg) • *All dimensions are in mm (in)*

Curva vertical exterior a 45° y 90° • 45° & 90° Outside vertical bend

VEZP-12R890-1 A

- Material y acabado (ver pag 69) • *Material & finishes (see page 69)*
- Sufijo p/peralte (ver pag 69) • *Rail height suffix (see page 69)*
- Ángulo de la curva • *Angle bend*
- Radio • *Radius*
- Ancho • *Width*
- Tipo de fondo y perfil (ver pag 69) • *Rail & trough type (see page 69)*
- Curva vertical exterior • *Outside vertical bend*



Números de catálogo para curva a 90° • 90° Bend's Catalog number

Ancho W Width W	Radio Radius			
	203.2 (8)	304.8 (12)	609.6 (24)	914.4 (36)
101.6 (4)	VE**-04R890	VE**-04R1290	VE**-04R2490	VE**-04R3690
152.4 (6)	VE**-06R890	VE**-06R1290	VE**-06R2490	VE**-06R3690
228.9 (9)	VE**-09R890	VE**-09R1290	VE**-09R2490	VE**-09R3690
304.8 (12)	VE**-12R890	VE**-12R1290	VE**-12R2490	VE**-12R3690
406.4 (16)	VE**-16R890	VE**-16R1290	VE**-16R2490	VE**-16R3690
457.2 (18)	VE**-18R890	VE**-18R1290	VE**-18R2490	VE**-18R3690
508.0 (20)	VE**-20R890	VE**-20R1290	VE**-20R2490	VE**-20R3690
609.6 (24)	VE**-24R890	VE**-24R1290	VE**-24R2490	VE**-24R3690
762.0 (30)	VE**-30R890	VE**-30R1290	VE**-30R2490	VE**-30R3690
914.4 (36)	VE**-36R890	VE**-36R1290	VE**-36R2490	VE**-36R3690

Números de catálogo para curva a 45° • 45° Bend's Catalog number

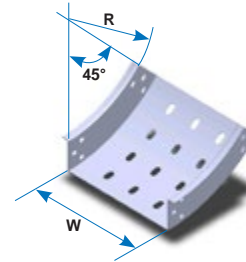
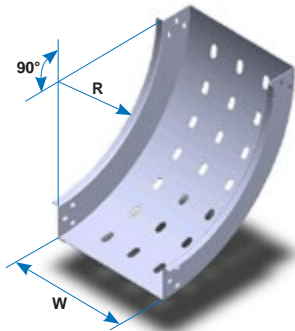
Ancho W Width W	Radio Radius			
	203.2 (8)	304.8 (12)	609.6 (24)	914.4 (36)
101.6 (4)	VE**-04R845	VE**-04R1245	VE**-04R2445	VE**-04R3645
152.4 (6)	VE**-06R845	VE**-06R1245	VE**-06R2445	VE**-06R3645
228.9 (9)	VE**-09R845	VE**-09R1245	VE**-09R2445	VE**-09R3645
304.8 (12)	VE**-12R845	VE**-12R1245	VE**-12R2445	VE**-12R3645
406.4 (16)	VE**-16R845	VE**-16R1245	VE**-16R2445	VE**-16R3645
457.2 (18)	VE**-18R845	VE**-18R1245	VE**-18R2445	VE**-18R3645
508.0 (20)	VE**-20R845	VE**-20R1245	VE**-20R2445	VE**-20R3645
609.6 (24)	VE**-24R845	VE**-24R1245	VE**-24R2445	VE**-24R3645
762.0 (30)	VE**-30R845	VE**-30R1245	VE**-30R2445	VE**-30R3645
914.4 (36)	VE**-36R845	VE**-36R1245	VE**-36R2445	VE**-36R3645

Incluye 2 conectores y tornillería • *Two connectors and hardware included*
 Todas las dimensiones en mm (pulg) • *All dimensions are in mm (in)*

Curva vertical interior a 45° y 90° • 45° & 90° Inside vertical bend

VIZP-12R890-1 A

- Material y acabado (ver pag 69) • *Material & finishes (see page 69)*
- Sufijo p/peralte (ver pag 69) • *Rail height suffix (see page 69)*
- Ángulo de la curva • *Angle bend*
- Radio • *Radius*
- Ancho • *Width*
- Tipo de fondo y perfil (ver pag 69) • *Rail & trough type (see page 69)*
- Curva vertical interior • *Inside vertical bend*



Números de catálogo para curva a 90° • 90° Bend's Catalog number

Ancho W Width W	Radio Radius			
	203.2 (8)	304.8 (12)	609.6 (24)	914.4 (36)
101.6 (4)	VI**-04R890	VI**-04R1290	VI**-04R2490	VI**-04R3690
152.4 (6)	VI**-06R890	VI**-06R1290	VI**-06R2490	VI**-06R3690
228.9 (9)	VI**-09R890	VI**-09R1290	VI**-09R2490	VI**-09R3690
304.8 (12)	VI**-12R890	VI**-12R1290	VI**-12R2490	VI**-12R3690
406.4 (16)	VI**-16R890	VI**-16R1290	VI**-16R2490	VI**-16R3690
457.2 (18)	VI**-18R890	VI**-18R1290	VI**-18R2490	VI**-18R3690
508.0 (20)	VI**-20R890	VI**-20R1290	VI**-20R2490	VI**-20R3690
609.6 (24)	VI**-24R890	VI**-24R1290	VI**-24R2490	VI**-24R3690
762.0 (30)	VI**-30R890	VI**-30R1290	VI**-30R2490	VI**-30R3690
914.4 (36)	VI**-36R890	VI**-36R1290	VI**-36R2490	VI**-36R3690

Números de catálogo para curva a 45° • 45° Bend's Catalog number

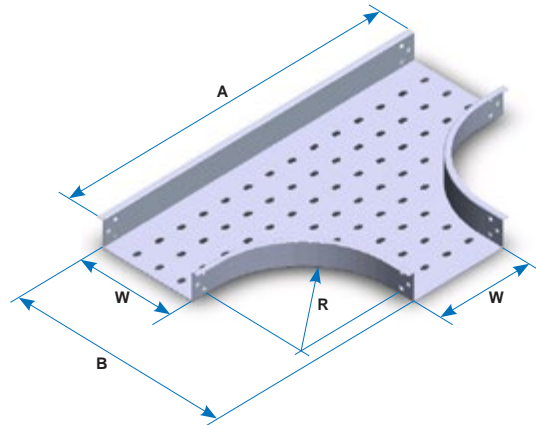
Ancho W Width W	Radio Radius			
	203.2 (8)	304.8 (12)	609.6 (24)	914.4 (36)
101.6 (4)	VI**-04R845	VI**-04R1245	VI**-04R2445	VI**-04R3645
152.4 (6)	VI**-06R845	VI**-06R1245	VI**-06R2445	VI**-06R3645
228.9 (9)	VI**-09R845	VI**-09R1245	VI**-09R2445	VI**-09R3645
304.8 (12)	VI**-12R845	VI**-12R1245	VI**-12R2445	VI**-12R3645
406.4 (16)	VI**-16R845	VI**-16R1245	VI**-16R2445	VI**-16R3645
457.2 (18)	VI**-18R845	VI**-18R1245	VI**-18R2445	VI**-18R3645
508.0 (20)	VI**-20R845	VI**-20R1245	VI**-20R2445	VI**-20R3645
609.6 (24)	VI**-24R845	VI**-24R1245	VI**-24R2445	VI**-24R3645
762.0 (30)	VI**-30R845	VI**-30R1245	VI**-30R2445	VI**-30R3645
914.4 (36)	VI**-36R845	VI**-36R1245	VI**-36R2445	VI**-36R3645

Incluye 2 conectores y tornillería • *Two connectors and hardware included*
 Todas las dimensiones en mm (pulg) • *All dimensions are in mm (in)*

“T” Horizontal • Horizontal tee

THZL-12R8-1 A

Material y acabado (ver pag 69) • *Material & finishes (see page 69)*
 Sufijo p/peralte (ver pag 69) • *Rail height suffix (see page 69)*
 Radio • *Radius*
 Ancho • *Width*
 Tipo de fondo y perfil (ver pag 69) • *Rail & trough type (see page 69)*
 “T” horizontal • *Horizontal “T”*



Ancho W Width W	Radio 203.2 Solo radial Radius (8) Radial only			Radio 304.8 Radius (12)		
	No. de catálogo Catalog number	A	B	No. de catálogo Catalog number	A	B
101.6 (4)	TH**-04R8	731 (28.78)	416 (16.39)	TH**-04R12	864 (34)	518 (20.39)
152.4 (6)	TH**-06R8	782 (30.78)	467 (18.39)	TH**-06R12	914 (36)	569 (22.39)
228.9 (9)	TH**-09R8	585 (23.03)	543 (21.39)	TH**-09R12	991 (39)	645 (25.39)
304.8 (12)	TH**-12R8	934 (36.78)	619 (24.39)	TH**-12R12	1137 (44.78)	721 (28.39)
406.4 (16)	TH**-16R8	1036 (40.78)	721 (28.39)	TH**-16R12	1239 (48.78)	823 (32.39)
457.2 (18)	TH**-18R8	1086 (42.78)	772 (30.39)	TH**-18R12	1290 (50.78)	873 (34.39)
508.0 (20)	TH**-20R8	1137 (44.78)	823 (32.39)	TH**-20R12	1341 (52.78)	924 (36.39)
609.6 (24)	TH**-24R8	1239 (48.78)	924 (36.39)	TH**-24R12	1442 (56.78)	1026 (40.39)
762.0 (30)	TH**-30R8	1391 (54.78)	1077 (42.39)	TH**-30R12	1595 (62.78)	1178 (46.39)
914.4 (36)	TH**-36R8	1543 (60.78)	1229 (48.39)	TH**-36R12	1747 (68.78)	1331 (52.39)

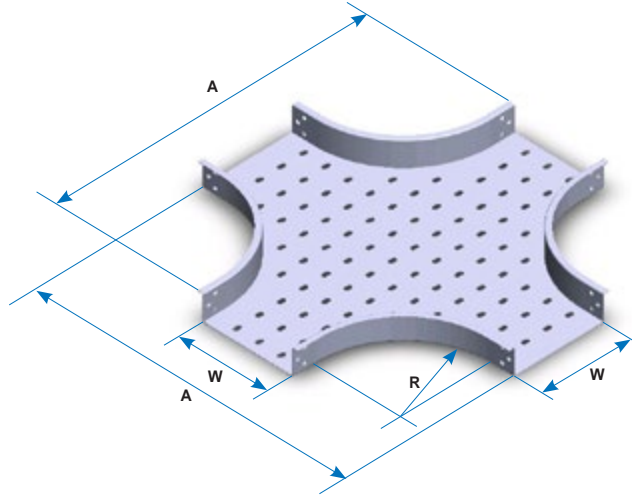
Ancho W Width W	Radio 609.6 Radius (24)			Radio 914.4 Radius (36)		
	No. de catálogo Catalog number	A	B	No. de catálogo Catalog number	A	B
101.6 (4)	TH**-04R24	1544 (60.78)	823 (32.39)	TH**-04R36	2153 (84.78)	1127 (44.39)
152.4 (6)	TH**-06R24	1595 (62.78)	873 (34.39)	TH**-06R36	2204 (86.78)	1178 (46.39)
228.9 (9)	TH**-09R24	1671 (65.78)	950 (37.39)	TH**-09R36	2280 (89.78)	1254 (49.39)
304.8 (12)	TH**-12R24	1747 (68.78)	1030 (40.39)	TH**-12R36	2357 (92.78)	1331 (52.39)
406.4 (16)	TH**-16R24	1849 (72.78)	1127 (44.39)	TH**-16R36	2458 (96.78)	1432 (56.39)
457.2 (18)	TH**-18R24	1899 (74.78)	1178 (46.39)	TH**-18R36	2509 (98.78)	1483 (58.39)
508.0 (20)	TH**-20R24	1950 (76.78)	1229 (48.39)	TH**-20R36	2560 (100.78)	1534 (60.39)
609.6 (24)	TH**-24R24	2052 (80.78)	1331 (52.39)	TH**-24R36	2661 (104.78)	1635 (64.39)
762.0 (30)	TH**-30R24	2204 (86.78)	1483 (58.39)	TH**-30R36	2814 (110.78)	1788 (70.39)
914.4 (36)	TH**-36R24	2357 (92.78)	1635 (64.39)	TH**-36R36	2966 (116.78)	1940 (76.39)

Incluye 2 conectores y tornillería • *Two connectors and hardware included*
 Todas las dimensiones en mm (pulg) • *All dimensions are in mm (in)*

“X” Horizontal • Horizontal cross

XHZP-12R8-1 A

- Material y acabado (ver pag 69) • *Material & finishes (see page 69)*
- Sufijo p/peralte (ver pag 69) • *Rail height suffix (see page 69)*
- Radio • *Radius*
- Ancho • *Width*
- Tipo de fondo y perfil (ver pag 69) • *Rail & trough type (see page 69)*
- “X” Horizontal • *Horizontal cross*



Ancho W Width W	Radio 203.2 Solo radial <i>Radius (8) Radial only</i>		Radio 304.8 <i>Radius (12)</i>	
	No. de catálogo <i>Catalog number</i>	A	No. de catálogo <i>Catalog number</i>	A
101.6 (4)	XH**-04R8	731 (28.78)	XH**-04R12	864 (34)
152.4 (6)	XH**-06R8	782 (30.78)	XH**-06R12	914 (36)
228.9 (9)	XH**-09R8	585 (23.03)	XH**-09R12	991 (39)
304.8 (12)	XH**-12R8	934 (36.78)	XH**-12R12	1137 (44.78)
406.4 (16)	XH**-16R8	1036 (40.78)	XH**-16R12	1239 (48.78)
457.2 (18)	XH**-18R8	1086 (42.78)	XH**-18R12	1290 (50.78)
508.0 (20)	XH**-20R8	1137 (44.78)	XH**-20R12	1341 (52.78)
609.6 (24)	XH**-24R8	1239 (48.78)	XH**-24R12	1442 (56.78)
762.0 (30)	XH**-30R8	1391 (54.78)	XH**-30R12	1595 (62.78)
914.4 (36)	XH**-36R8	1543 (60.78)	XH**-36R12	1747 (68.78)

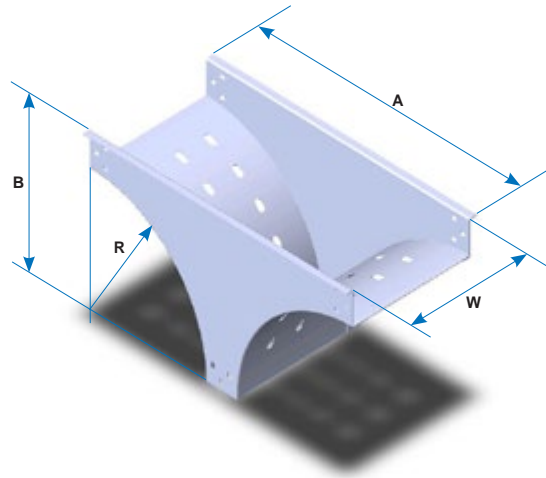
Ancho W Width W	Radio 609.6 <i>Radius (24)</i>		Radio 914.4 <i>Radius (36)</i>	
	No. de catálogo <i>Catalog number</i>	A	No. de catálogo <i>Catalog number</i>	A
101.6 (4)	XH**-04R24	1544 (60.78)	XH**-04R36	2153 (84.78)
152.4 (6)	XH**-06R24	1595 (62.78)	XH**-06R36	2204 (86.78)
228.9 (9)	XH**-09R24	1671 (65.78)	XH**-09R36	2280 (89.78)
304.8 (12)	XH**-12R24	1747 (68.78)	XH**-12R36	2357 (92.78)
406.4 (16)	XH**-16R24	1849 (72.78)	XH**-16R36	2458 (96.78)
457.2 (18)	XH**-18R24	1899 (74.78)	XH**-18R36	2509 (98.78)
508.0 (20)	XH**-20R24	1950 (76.78)	XH**-20R36	2560 (100.78)
609.6 (24)	XH**-24R24	2052 (80.78)	XH**-24R36	2661 (104.78)
762.0 (30)	XH**-30R24	2204 (86.78)	XH**-30R36	2814 (110.78)
914.4 (36)	XH**-36R24	2357 (92.78)	XH**-36R36	2966 (116.78)

Incluye 2 conectores y tornillería • *Two connectors and hardware included*
 Todas las dimensiones en mm (pulg) • *All dimensions are in mm (in)*

“T” Vertical • Vertical tee

TVZP-12R8-1 A

Material y acabado (ver pag 69) • *Material & finishes (see page 69)*
 Sufijo p/peralte (ver pag 69) • *Rail height suffix (see page 69)*
 Radio • *Radius*
 Ancho • *Width*
 Tipo de fondo y perfil (ver pag 69) • *Rail & trough type (see page 69)*
 “T” vertical • *Vertical “T”*



Ancho W Width W	Radio Radius			
	203.2 (8)	304.8 (12)	609.6 (24)	914.4 (36)
101.6 (4)	TV**-04R8	TV**-04R12	TV**-04R24	TV**-04R36
152.4 (6)	TV**-06R8	TV**-06R12	TV**-06R24	TV**-06R36
228.9 (9)	TV**-09R8	TV**-09R12	TV**-09R24	TV**-09R36
304.8 (12)	TV**-12R8	TV**-12R12	TV**-12R24	TV**-12R36
406.4 (16)	TV**-16R8	TV**-16R12	TV**-16R24	TV**-16R36
457.2 (18)	TV**-18R8	TV**-18R12	TV**-18R24	TV**-18R36
508.0 (20)	TV**-20R8	TV**-20R12	TV**-20R24	TV**-20R36
609.6 (24)	TV**-24R8	TV**-24R12	TV**-24R24	TV**-24R36
762.0 (30)	TV**-30R8	TV**-30R12	TV**-30R24	TV**-30R36
914.4 (36)	TV**-36R8	TV**-36R12	TV**-36R24	TV**-36R36

Sufijo p/peralte Height rail suffix	Radio • Radius							
	203.2 (8)		304.8 (12)		609.6 (24)		914.4 (36)	
	A	B	A	B	A	B	A	B
1	489 (19.25)	286 (11.25)	692 (27.25)	387 (15.25)	1302 (51.25)	692 (27.25)	1911 (75.25)	997 (39.25)
2	508 (20)	305 (12)	711 (28)	406 (16)	1321 (52)	711 (28)	1930 (76)	1016 (40)
3	521 (20.5)	318 (12.5)	724 (28.5)	419 (16.5)	1334 (52.5)	724 (28.5)	1943 (76.5)	1029 (40.5)
5	533 (21)	330 (13)	737 (29)	432 (17)	1346 (53)	737 (29)	1956 (77)	1041 (41)
6	559 (22)	356 (14)	762 (30)	457 (18)	1372 (54)	762 (30)	1981 (78)	1067 (42)

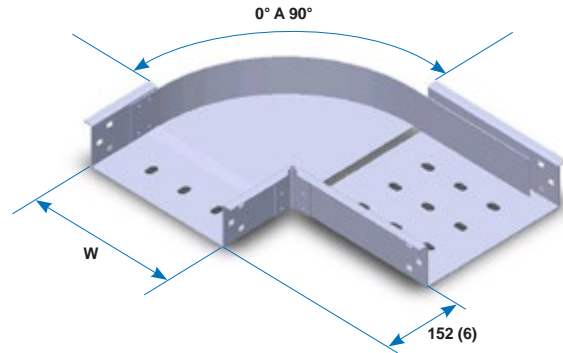
Incluye 2 conectores y tornillería • *Two connectors and hardware included*
 Todas las dimensiones en mm (pulg) • *All dimensions are in mm (in)*

Curva horizontal ajustable • Horizontal adjustable bend

CAZP-12-1 A

- Material y acabado (ver pag 69) • *Material & finishes (see page 69)*
- Sufijo p/peralte (ver pag 69) • *Rail height suffix (see page 69)*
- Ancho • *Width*
- Tipo de fondo y perfil (ver pag 69) • *Rail & trough type (see page 69)*
- Curva horizontal ajustable • *Horizontal adjustable bend*

Ancho W Width W	No. de catálogo Catalog number
101.6 (4)	CA**-04
152.4 (6)	CA**-06
228.9 (9)	CA**-09
304.8 (12)	CA**-12
406.4 (16)	CA**-16
457.2 (18)	CA**-18
508.0 (20)	CA**-20
609.6 (24)	CA**-24
762.0 (30)	CA**-30
914.4 (36)	CA**-36



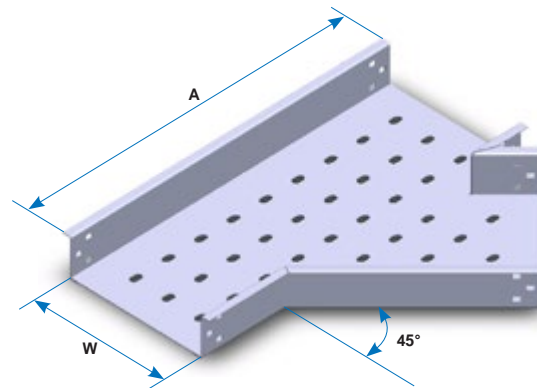
Incluye 2 conectores y tornillería • *Two connectors and hardware included*
 No incluye cintas conductoras • *Bonding jumpers not included*
 Todas las dimensiones en mm (pulg) • *All dimensions are in mm (in)*

Derivación horizontal a 45° • 45° Horizontal wye branch

DY * ZP-12-1 A

- Material y acabado (ver pag 69) • *Material & finishes (see page 69)*
- Sufijo p/peralte (ver pag 69) • *Rail height suffix (see page 69)*
- Ancho • *Width*
- Tipo de fondo y perfil (ver pag 69) • *Rail & trough type (see page 69)*
- Colocar "D" para derecha o "I" izquierda • *Add "D" for right or "I" for left*
- Derivación horizontal a 45° • *45° Horizontal wye branch*

Ancho W Width W	No. de catálogo Catalog number	A
101.6 (4)	DY**-04	463 (18.2)
152.4 (6)	DY**-06	534 (21)
228.9 (9)	DY**-09	642 (25.3)
304.8 (12)	DY**-12	750 (29.5)
406.4 (16)	DY**-16	894 (35.2)
457.2 (18)	DY**-18	966 (38)
508.0 (20)	DY**-20	1037 (40.8)
609.6 (24)	DY**-24	1181 (46.5)
762.0 (30)	DY**-30	1396 (55)
914.4 (36)	DY**-36	1612 (63.5)

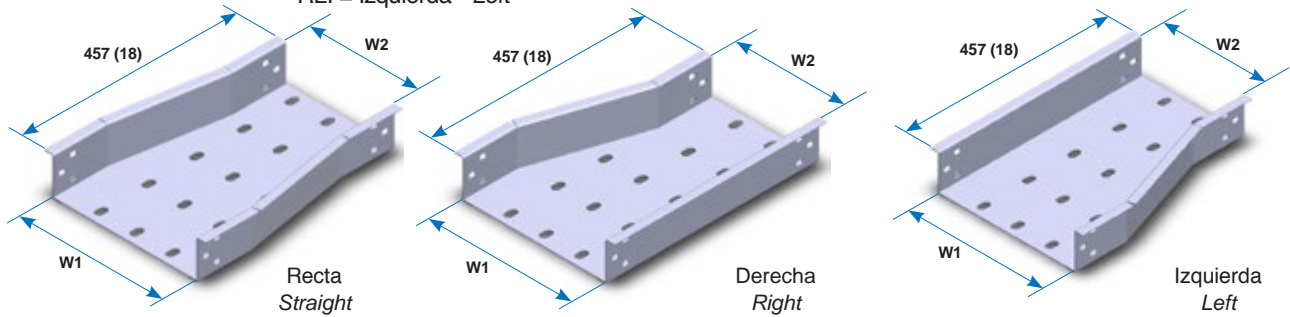


Incluye 2 conectores y tornillería • *Two connectors and hardware included*
 Todas las dimensiones en mm (pulg) • *All dimensions are in mm (in)*

Reducciones • Reducers

RL ZP-1209-1 A

Material y acabado • *Material & finishes*
 Sufijo p/peralte (ver pag 69) • *Rail height suffix (see page 69)*
 Ancho menor • *Smaller width*
 Ancho mayor • *Larger width*
 Perfil tipo (ver pag 69) • *Rail type (see page 69)*
 Reducción • *Reducer*
 RL = Recta • *Straight*
 RLD = Derecha • *Right*
 RLI = Izquierda • *Left*



N° de catálogo reducciones rectas • *Straight reducer catalog number*

Ancho W1 Width W1	Ancho menor W2 Smaller width W2								
	101.6 (4)	152.4 (6)	228.9 (9)	304.8 (12)	406.4 (16)	457.2 (18)	508.0 (20)	609.6 (24)	762.0 (30)
152.4 (6)	RL**-0604								
228.9 (9)	RL**-0904	RL**-0906							
304.8 (12)	RL**-1204	RL**-1206	RL**-1209						
406.4 (16)	RL**-1604	RL**-1606	RL**-1609	RL**-1612					
457.2 (18)	RL**-1804	RL**-1806	RL**-1809	RL**-1812	RL**-1816				
508.0 (20)	RL**-2004	RL**-2006	RL**-2009	RL**-2012	RL**-2016	RL**-2018			
609.6 (24)	RL**-2404	RL**-2406	RL**-2409	RL**-2412	RL**-2416	RL**-2418	RL**-2420		
762.0 (30)	RL**-3004	RL**-3006	RL**-3009	RL**-3012	RL**-3016	RL**-3018	RL**-3020	RL**-3024	
914.4 (36)	RL**-3604	RL**-3606	RL**-3609	RL**-3612	RL**-3616	RL**-3618	RL**-3620	RL**-3624	RL**-3630

N° de catálogo reducciones derechas • *Right reducer catalog number*

Ancho W1 Width W1	Ancho menor W2 Smaller width W2								
	101.6 (4)	152.4 (6)	228.9 (9)	304.8 (12)	406.4 (16)	457.2 (18)	508.0 (20)	609.6 (24)	762.0 (30)
152.4 (6)	RLD**-0604								
228.9 (9)	RLD**-0904	RLD**-0906							
304.8 (12)	RLD**-1204	RLD**-1206	RLD**-1209						
406.4 (16)	RLD**-1604	RLD**-1606	RLD**-1609	RLD**-1612					
457.2 (18)	RLD**-1804	RLD**-1806	RLD**-1809	RLD**-1812	RLD**-1816				
508.0 (20)	RLD**-2004	RLD**-2006	RLD**-2009	RLD**-2012	RLD**-2016	RLD**-2018			
609.6 (24)	RLD**-2404	RLD**-2406	RLD**-2409	RLD**-2412	RLD**-2416	RLD**-2418	RLD**-2420		
762.0 (30)	RLD**-3004	RLD**-3006	RLD**-3009	RLD**-3012	RLD**-3016	RLD**-3018	RLD**-3020	RLD**-3024	
914.4 (36)	RLD**-3604	RLD**-3606	RLD**-3609	RLD**-3612	RLD**-3616	RLD**-3618	RLD**-3620	RLD**-3624	RLD**-3630

N° de catálogo reducciones izquierdas • *Left reducer catalog number*

Ancho W1 Width W1	Ancho menor W2 Smaller width W2								
	101.6 (4)	152.4 (6)	228.9 (9)	304.8 (12)	406.4 (16)	457.2 (18)	508.0 (20)	609.6 (24)	762.0 (30)
152.4 (6)	RLI**-0604								
228.9 (9)	RLI**-0904	RLI**-0906							
304.8 (12)	RLI**-1204	RLI**-1206	RLI**-1209						
406.4 (16)	RLI**-1604	RLI**-1606	RLI**-1609	RLI**-1612					
457.2 (18)	RLI**-1804	RLI**-1806	RLI**-1809	RLI**-1812	RLI**-1816				
508.0 (20)	RLI**-2004	RLI**-2006	RLI**-2009	RLI**-2012	RLI**-2016	RLI**-2018			
609.6 (24)	RLI**-2404	RLI**-2406	RLI**-2409	RLI**-2412	RLI**-2416	RLI**-2418	RLI**-2420		
762.0 (30)	RLI**-3004	RLI**-3006	RLI**-3009	RLI**-3012	RLI**-3016	RLI**-3018	RLI**-3020	RLI**-3024	
914.4 (36)	RLI**-3604	RLI**-3606	RLI**-3609	RLI**-3612	RLI**-3616	RLI**-3618	RLI**-3620	RLI**-3624	RLI**-3630

Todas las dimensiones en mm (pulg) • *All dimensions are in mm (in)*

Incluye 2 conectores y tornillería • *Two connectors and hardware included*

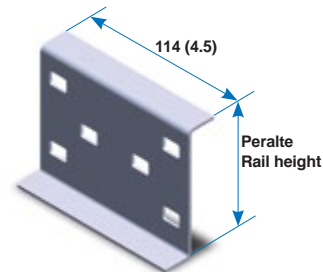
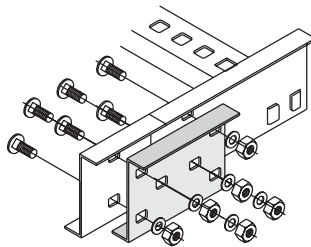
Sección 4.3 Accesorios de ensamble para charolas tipo escalera y fondo sólido

Section 4.3 Assembly fittings for ladder and solid trough type cable tray systems.

Conector tipo "Z" • "Z" Form splice plate

AZ-4.5 1 A

- Material y acabado (ver pag 58) • *Material & finishes (see page 58)*
- Sufijo p/peralte (ver pag 59) • *Rail height suffix (see page 59)*
- Largo en pulg. • *Length in inches*
- Conector tipo z • *Z form connector*



Aplicable solo para productos perfil tipo Z • *Use only with products Z rail side form*

Tornillería incluida • *Hardware included*

Todas las dimensiones en mm (pulg) • *All dimensions are in mm (in)*

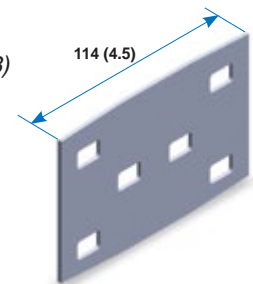
Conector recto • Straight splice plate

AR-4.5 1 A

- Material y acabado (ver pag 58) • *Material & finishes (see page 58)*
- Sufijo p/peralte (ver pag 59) • *Rail height suffix (see page 59)*
- Largo en pulg. • *Length in inches*
- Conector recto • *Straight connector*

Tornillería incluida • *Hardware included*

Todas las dimensiones en mm (pulg) • *All dimensions are in mm (in)*



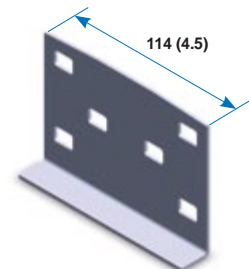
Conector tipo "L" • "L" Form splice plate

AL-4.5 1 A

- Material y acabado (ver pag 58) • *Material & finishes (see page 58)*
- Sufijo p/peralte (ver pag 59) • *Rail height suffix (see page 59)*
- Largo en pulg. • *Length in inches*
- Conector tipo L • *L form connector*

Tornillería incluida • *Hardware included*

Todas las dimensiones en mm (pulg) • *All dimensions are in mm (in)*



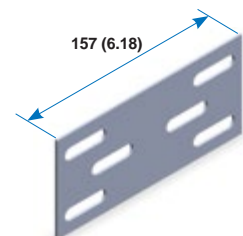
Conector de expansión • Expansion connector

AE-1 A

- Material y acabado (ver pag 58) • *Material & finishes (see page 58)*
- Sufijo p/peralte (ver pag 59) • *Rail height suffix (see page 59)*
- Conector de expansión • *Expansion connector*

Tornillería incluida • *Hardware included*

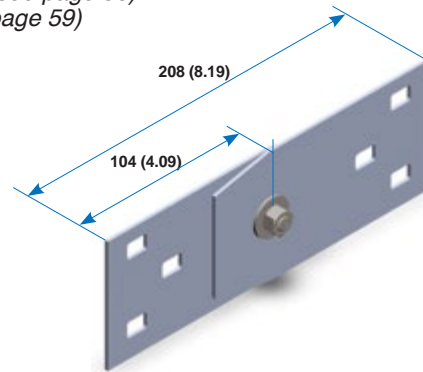
Todas las dimensiones en mm (pulg) • *All dimensions are in mm (in)*



Elevador ajustable • Vertical adjustable connector

EA-1 A

Material y acabado (ver pag 58) • *Material & finishes (see page 58)*
 Sufijo p/peralte (ver pag 59) • *Rail height suffix (see page 59)*
 Elevador ajustable • *Vertical adjustable connector*



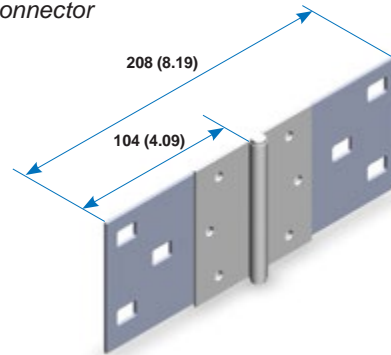
No incluye cintas conductoras • *Bonding jumpers not included*

Tornillería incluida • *Hardware included*

Conector horizontal ajustable • Horizontal adjustable connector

AH-1 A

Material y acabado (ver pag 58) • *Material & finishes (see page 58)*
 Sufijo p/peralte (ver pag 59) • *Rail height suffix (see page 59)*
 Conector horizontal ajustable • *Horizontal adjustable connector*



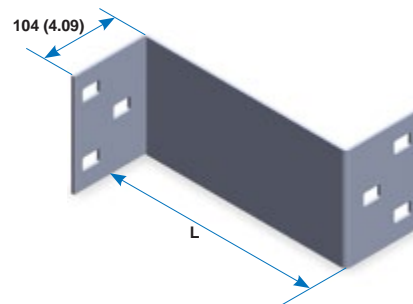
No incluye cintas conductoras • *Bonding jumpers not included*

Conector reductor • Reducer connector

ARR - 3 - 1 A

Material y acabado (ver pag 58) • *Material & finishes (see page 58)*
 Sufijo p/peralte (ver pag 59) • *Rail height suffix (see page 59)*
 Diferencia de anchos ver tabla • *Width difference see table*
 Conector reductor • *Reducer connector*

No. de catálogo <i>Catalog number</i>	L mm (<i>pulg</i>)
ARR-1	76.2 (3")
ARR-2	152.4(6")
ARR-3	228.6(9")
ARR-4	304.8(12")
ARR-5	381.0(15")
ARR-6	457.2(18")
ARR-7	609.6(24")
ARR-8	762.0(30")



Medidas de reducción de línea.

La reducción se puede fabricar en cualquier medida solicitada

Tornillería incluida • *Hardware included*

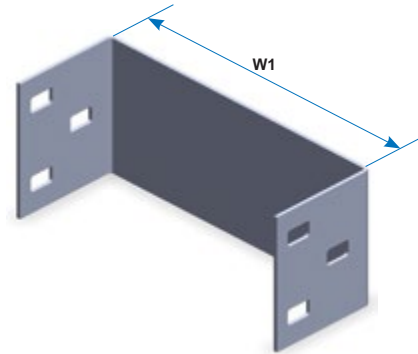
Todas las dimensiones en mm (pulg) • *All dimensions are in mm (in)*

PTR-09-1 A

Tapa terminal • Blind end

- Material y acabado (ver pag 58) • *Material & finishes (see page 58)*
- Sufijo p/peralte (ver pag 59) • *Rail height suffix (see page 59)*
- Ancho de la charola • *Cable tray width*
- Tapa terminal • *Blind end*

Ancho de Charola Tray Width	W1
101.6 (4)	106(4.19)
152.4 (6)	157 (6.19)
228.9 (9)	233 (6.19)
304.8 (12)	309 (12.19)
406.4 (16)	411 (16.19)
457.2 (18)	462 (18.19)
508.0 (20)	513 (20.19)
609.6 (24)	614 (24.19)
762.0 (30)	767 (30.19)
914.4 (36)	919 (36.19)



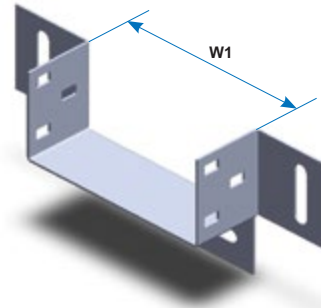
Tornillería incluida • *Hardware included*

ACC-09-1 A

Conector de charola a caja • Frame type box connector

- Material y acabado (ver pag 58) • *Material & finishes (see page 58)*
- Sufijo p/peralte (ver pag 59) • *Rail height suffix (see page 59)*
- Ancho de la charola • *Cable tray width*
- Conector charola a caja • *Frame type box connector*

Ancho de Charola Tray Width	W1
101.6 (4)	106(4.19)
152.4 (6)	157 (6.19)
228.9 (9)	233 (6.19)
304.8 (12)	309 (12.19)
406.4 (16)	411 (16.19)
457.2 (18)	462 (18.19)
508.0 (20)	513 (20.19)
609.6 (24)	614 (24.19)
762.0 (30)	767 (30.19)
914.4 (36)	919 (36.19)



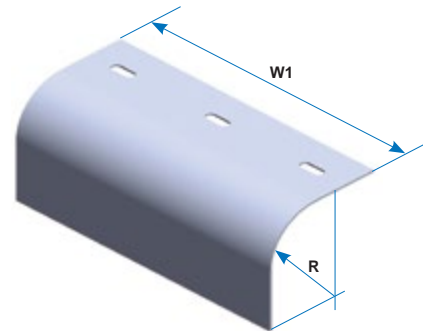
Tornillería incluida • *Hardware included*

BC-509-1 A

Bajada para cable • Drop-out

- Material y acabado (ver pag 58) • *Material & finishes (see page 58)*
- Sufijo p/peralte (ver pag 59) • *Rail height suffix (see page 59)*
- Ancho de la charola • *Cable tray width*
- Radio de la bajada • *Drop-out radius*
- Bajada para cables • *Drop-out*

Ancho de Charola Tray Width	Radio 50.8 Radius (2)	Radio 127 Radius (5)
101.6 (4)	BC-204	BC-504
152.4 (6)	BC-206	BC-506
228.9 (9)	BC-209	BC-509
304.8 (12)	BC-212	BC-512
406.4 (16)	BC-216	BC-516
457.2 (18)	BC-218	BC-518
508.0 (20)	BC-220	BC-520
609.6 (24)	BC-224	BC-524
762.0 (30)	BC-230	BC-530
914.4 (36)	BC-236	BC-536



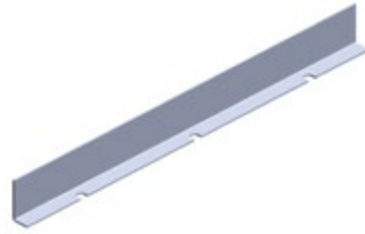
Tornillería no incluida • *Hardware not included*

Todas las dimensiones en mm (pulg) • *All dimensions are in mm (in)*

Barreras separadoras tramo recto • Straight divider strip

BSCH-1 A 3.05m

Longitud de la charola en metros (3.05m y 3.66m) • *Cable tray length in meters (3.05m and 3.66m)*
 Material y acabado (ver pag 58) • *Material & finishes (see page 58)*
 Sufijo p/peralte (ver pag 58) • *Rail height suffix (see page 58)*
 Barrera separadora para tramo recto • *Straight divider strip*



Incluye 5 clemas Clamp-112 con tornillería • *Five hold down Clamp-112 and hardware included*

Barreras separadoras accesorios horizontales • Horizontal fittings divider strip

BSH-72-1 A

Material y acabado (ver pag 58) • *Material & finishes (see page 58)*
 Sufijo p/peralte (ver pag 58) • *Rail height suffix (see page 58)*
 Longitud de la barrera en pulgadas (48" y 72") • *Divider strip length in inches (48" and 72")*
 Barrera separadora para curva horizontal • *Horizontal fitting divider strip*



Incluye 3 clemas Clamp-112 con tornillería • *Three hold down Clamp-112 and hardware included*

Barreras separadoras accesorios verticales • Vertical fittings divider strip

BSVEC-04R08901 A

No de catálogo de la curva a la que se colocara la barrera.
Catalog number of the vertical fitting
 Barrera separadora para curva vertical • *Vertical fitting divider strip*



Incluye clemas Clamp-112 con tornillería • *Hold down Clamp-112 and hardware included*

Cintas conductoras • Bonding jumpers

Para su selección y aplicación consulte NOM-001-SEDE-2012 artículos 318-6A y 318-7, además de NEMA VE-2
For application and selection, see NEC CODE 318-6A & 318-7, also NEMA VE-2

No de catálogo <i>Catalog number</i>	Capacidad <i>Capacity</i>
CC-99NI	600 AMP. MAX.
CC-9940	1600 AMP. MAX



Todas las dimensiones en mm (pulg) • *All dimensions are in mm (in)*

Tapas para tramo recto • Straight covers

TRCV-CHCP-12-1A

No de catálogo de la pieza a cubrir • *Covered product catalog number*
 Tipo de tapa • *Cover type*



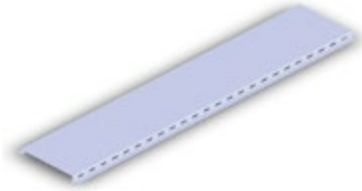
Tapa recta tipo "TR"
Flat cover "TR" type



Tapa con ceja tipo "TRC"
Flanged cover "TRC" type



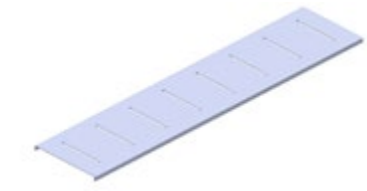
Tapa a dos aguas tipo "TA"
Peaked cover "TA" type



Tapa sombrero tipo "TSS"
Domed cover "TSS" type



Tapa recta con ventilación tipo "TRV"
Flat vented cover "TRV" type



Tapa con ceja con ventilación tipo "TRCV"
Flanged and vented cover "TRCV" type

Las tapas se surten en juegos de 3 tapas de 1219 mm (4 ft) e incluyen 12 clips de sujeción

Covers are supplied in sets of 3 covers of 1219 mm (4 ft) 12 cover clamps are included

Para otras longitudes consulte nuestro departamento de ingeniería

For other lengths or designs please consult our technical department

Las tapas para accesorios solo se fabrican en tipo recto e incluyen clips necesarios.

Only flat type is supplied for fitting covers and cover clamps needed are included

Las tapas para charola tipo fondo sólido se surten en juegos de 2 tapas de 1525 mm (5 ft) e incluyen 8 clips
Solid trough type cable tray covers are supplied in sets of 2 covers of 1525 mm (5 ft) 8 cover clamps are included.

Clips de sujeción para tapas • Cover clamps

CST-14-GI

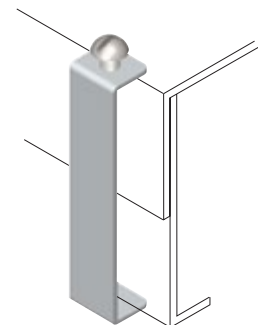
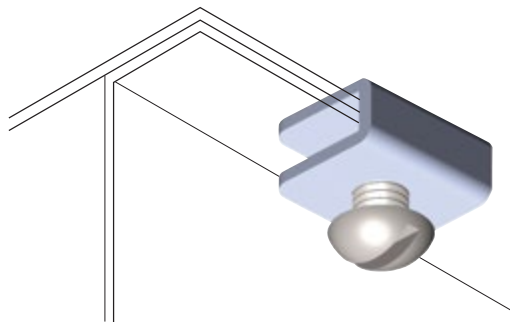
Material y acabado (ver pag 58) • *Material & finishes (see page 58)*
 Clip normal • *Standard clamp*

CSTSC-14-1GI

Material y acabado (ver pag 58) • *Material & finishes (see page 58)*
 Sufijo p/peralte (ver pag 58) • *Rail height suffix (see page 58)*
 Clip largo • *Large clamp*

Para charolas perfiles tipo "Z", "C" afuera, e "I"
For products with rail type "Z", "C" flanged out, & "I"

Para charolas perfiles tipo "C"
For products with rail type "C"



Todas las dimensiones en mm (pulg) • *All dimensions are in mm (in)*

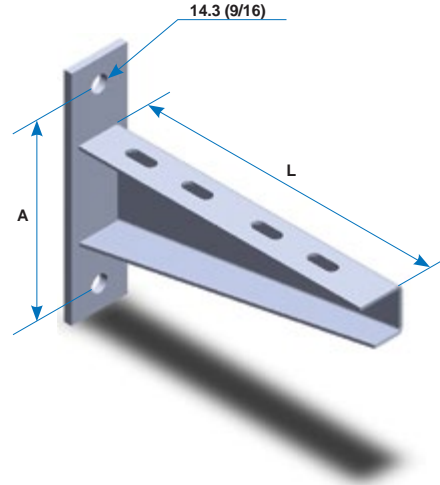
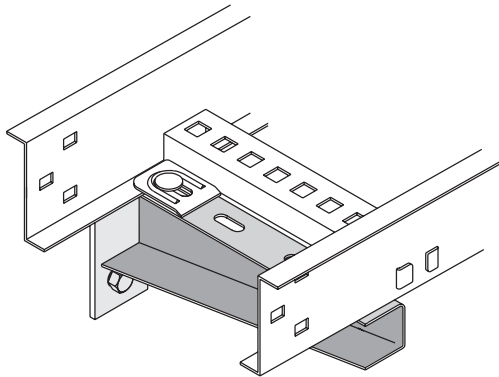
Sección 4.4 Accesorios de montaje

Section 4.4 Supports and brackets

Ménsula para montaje en pared • Wall cantilever bracket

MPPI-09-GI

Material y acabado • *Material & finishes*
 Ancho de la charola • *Cable tray width*
 Colocar esta letra para charolas con perfil tipo "C" hacia fuera, e "I"
Use this letter for "C" flange out & "I" rail trays
 Ménsula para pared • *Wall supported bracket*



Ancho de charola Tray width	A	Para perfil tipo Z, C, I (ligero) (ver pag 58) For Z, C, I rail type (see page 58)		Para perfil tipo "C" hacia afuera, e "I" (pesado) (ver pag 58) For "C" flanged out & "I" rail type (see page 58)		Carga soportada Load capacity
		No de catálogo Catalog number	L	No de catálogo Catalog number	L	
101.6 (4)	120 (4.75)	MPP-04	127 (5)	MPPI-04	152 (6)	705 kg (1550 lb)
152.4 (6)		MPP-06	178 (7)	MPPI-06	203 (8)	665 kg (1460 lb)
228.9 (9)		MPP-09	254 (10)	MPPI-09	279 (11)	645 kg (1420 lb)
304.8 (12)		MPP-12	330 (13)	MPPI-12	356 (14)	550 kg (1215 lb)
406.4 (16)	158 (6.22)	MPP-16	432 (17)	MPPI-16	457 (18)	505 kg (1115 lb)
457.2 (18)		MPP-18	483 (19)	MPPI-18	508 (20)	450 kg (990 lb)
508.0 (20)		MPP-20	533 (21)	MPPI-20	559 (22)	385 kg (850 lb)
609.6 (24)		MPP-24	635 (25)	MPPI-24	660 (26)	325 kg (717 lb)
762.0 (30)		MPP-30	787 (31)	MPPI-30	813 (32)	275 kg (607 lb)
914.4 (36)		MPP-36	940 (37)	MPPI-36	965 (38)	225 kg (496 lb)

No incluye tornillería ni sistemas de fijación. • *Hardware, clamps or anchoring system are not included*

La carga soportada muestra la capacidad de la ménsula,

The load shown indicates bracket's load capacity.

Las cargas soportadas están basadas en un factor de seguridad de 2.5.

Load capacities are based in a 2.5 safety factor.

Materiales y acabados:

GI: Acero al carbón galvanizado por inmersión en caliente

GE: Acero al carbón galvanizado electrolítico

T: Acero al carbón tropicalizado

PVC: Acero al carbón recubierto con PVC

AI: Acero inoxidable

Para materiales y acabados no indicados consulte nuestro departamento de ingeniería

Todas las dimensiones en mm (pulg)

Materials & finishes:

GI: Hot dip galvanized steel

GE: Electro galvanized steel

T: Chromium-zinc coated steel

PVC: PVC coated steel

AI: Stainless steel

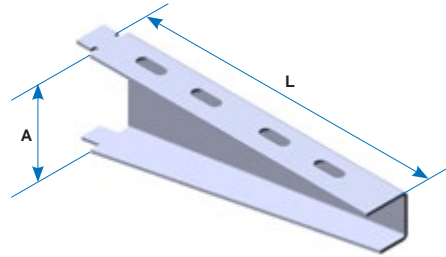
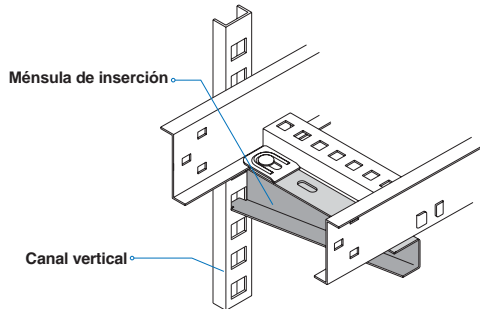
For materials and finishes not shown please consult our technical department

All dimensions are in mm (in)

Ménsula para montaje en canal • Channel cantilever bracket

MCI-09-GI

- Material y acabado (ver pag 83) • *Material & finishes (see page 83)*
- Ancho de la charola • *Cable tray width*
- Colocar esta letra para charolas con perfil tipo "C" hacia fuera, e "I" • *Use this letter for "C" flange out & "I" rail trays*
- Ménsula para canal • *Channel cantilever bracket*



Ancho de charola Tray width	A	Para perfil tipo Z, C, I (ligero) (ver pag 58) For Z, C, I rail type (see page 58)		Para perfil tipo "C" hacia afuera, e "I" (pesado) (ver pag 58) For "C" flanged out & "I" rail type (see page 58)		Carga soportada Load capacity
		No de catálogo Catalog number	L	No de catálogo Catalog number	L	
101.6 (4)	79 (3.1)	MC-04	127 (5)	MCI-04	152 (6)	345 kg (762 lb)
152.4 (6)		MC-06	178 (7)	MCI-06	203 (8)	325 kg (717 lb)
228.9 (9)		MC-09	254 (10)	MCI-09	279 (11)	315 kg (695 lb)
304.8 (12)		MC-12	330 (13)	MCI-12	356 (14)	270 kg (596 lb)
406.4 (16)	158 (6.22)	MC-16	432 (17)	MCI-16	457 (18)	245 kg (540 lb)
457.2 (18)		MC-18	483 (19)	MCI-18	508 (20)	220 kg (485 lb)
508.0 (20)		MC-20	533 (21)	MCI-20	559 (22)	190 kg (420 lb)
609.6 (24)		MC-24	635 (25)	MCI-24	660 (26)	160 kg (353 lb)
762.0 (30)		MC-30	787 (31)	MCI-30	813 (32)	135 kg (298 lb)
914.4 (36)		MC-36	940 (37)	MCI-36	965 (38)	110 kg (243 lb)

La carga soportada muestra la capacidad de la ménsula,

The load shown indicates bracket's load capacity assembled with a vertical channel,

Las cargas soportadas están basadas en un factor de seguridad de 2.5.

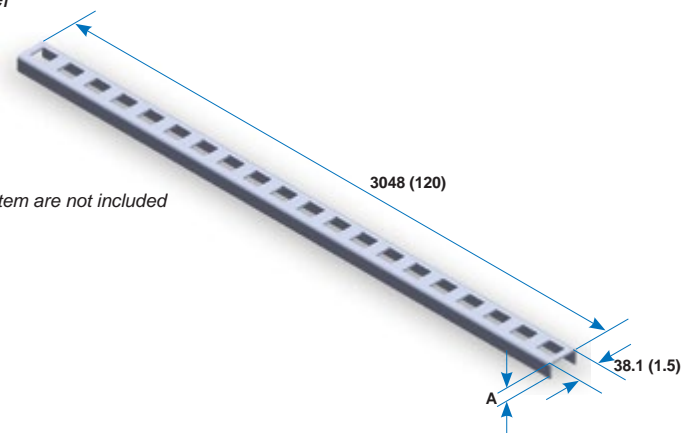
Load capacities are based in a 2.5 safety factor.

Canal vertical • Vertical "C" channel

CVPP-120-GI

- Material y acabado (ver pag 83) • *Material & finishes (see page 83)*
- Longitud del canal en pulgadas • *Channel length in inches*
- Colocar esta letra en canales con altura de 19 mm (3/4) • *Use this letter for channels with 19 (3/4) height*
- Canal vertical • *Vertical "C" channel*

No de catálogo Catalog number	A
CVPP-120	19 (3/4)
CVP-120	31.8 (1 1/2)

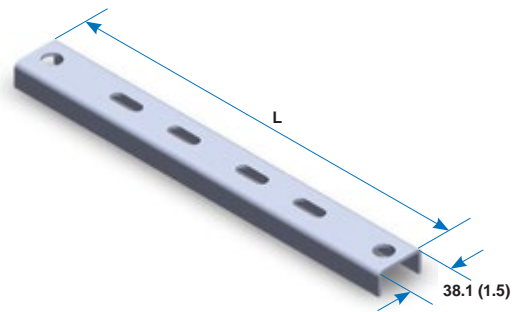
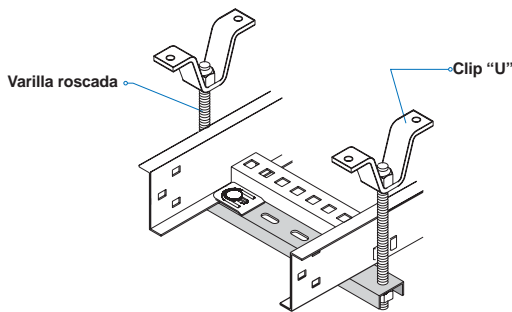


No incluye tornillería ni sistemas de fijación. • *Hardware, clamps or anchoring system are not included*
Todas las dimensiones en mm (pulg). • *All dimensions are in mm (in)*

Canal horizontal para trapecio • Channel cantilever bracket

CPPV-09-GI

Material y acabado (ver pag 83) • *Material & finishes (see page 83)*
 Ancho de la charola • *Cable tray width*
 Canal horizontal para trapecio • *Horizontal channel for support*



Números de catálogo • Catalog number

Canal poco profundo <i>Minus deep horizontal channel</i>	Canal horizontal profundo <i>Deep horizontal channel</i>	Ancho de charola <i>Tray width</i>	L
CPPV-04	CPV-04	101.6 (4)	195 (7.69)
CPPV-06	CPV-06	152.4 (6)	246 (9.69)
CPPV-09	CPV-09	228.9 (9)	322 (12.69)
CPPV-12	CPV-12	304.8 (12)	398 (15.69)
CPPV-16	CPV-16	406.4 (16)	500 (19.69)
CPPV-18	CPV-18	457.2 (18)	551 (21.69)
CPPV-20	CPV-20	508.0 (20)	602 (23.69)
CPPV-24	CPV-24	609.6 (24)	703 (27.69)
CPPV-30	CPV-30	762.0 (30)	856 (33.69)
CPPV-36	CPV-36	914.4 (36)	1008 (39.69)

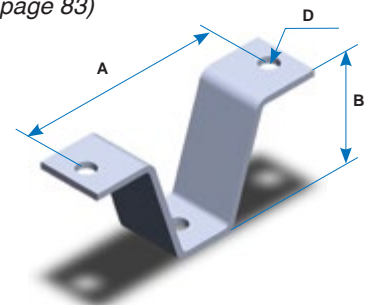
No incluye tornillería, varillas, clips "U" ni sistemas de fijación • *Hardware, threaded rods or anchoring systems are not included*

Clip "U" • "U" Form clamp

CU-38-GI

Material y acabado (ver pag 83) • *Material & finishes (see page 83)*
 Tamaño nominal de varilla roscada • *Threaded road size*
 Clip "U" • "U" form clamp

Nº de catálogo <i>Catalog number</i>	Tamaño de varilla <i>Road size</i>	A	B	D
CU-38	9.5 (3/8)	110 (4.32)	57 (2.24)	9.5 (3/8)
CU-12	12.7 (½)	133 (5.23)	63 (2.48)	14.3 (9/16)
CU-58	15.9 (5/8)	143 (5.62)	67 (2.63)	14.3 (9/16)



No incluye tornillería, varillas, ni sistemas de fijación • *Hardware, threaded rods or anchoring systems are not included*

Varilla roscada • Threaded rod

VR-38300 GE

Material y acabado (ver pag 83 excepto GI) • *Material & finishes (see page 83 except GI)*
 Longitud en metros (solo 3m) • *Length in meters (3.0m only)*
 Tamaño nominal • *Size*
 Varilla roscada • *Threaded rod*

Nº de catálogo <i>Catalog number</i>	Diámetro de varilla <i>Rod size</i>
VR-38	9.5 (3/8)
VR-12	12.7 (½)
VR-58	15.9 (5/8)

No incluye tuercas • *Nuts not included*

Todas las dimensiones en mm (pulg) • *All dimensions are in mm (in)*

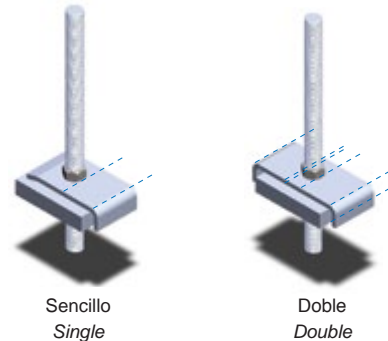


Soportes colgantes a lateral • Side rail hanging support

SDH-38-GI

- Material y acabado (ver pag 83) • *Material & finishes (see page 83)*
- Tamaño nominal de varilla roscada • *Threaded rod size*
- Tipo (sencillo o doble) • *Support type (single or double)*
- Colgador a lateral • *Side rail hanger*

N° de catálogo <i>Catalog number</i>		Diámetro de varilla <i>Rod size</i>
Sencillo <i>Single</i>	Doble <i>Double</i>	
SSH-38	SDH-38	9.5 (3/8)
SSH-12	SDH-12	12.7 (1/2)
SSH-58	SDH-58	15.9 (5/8)

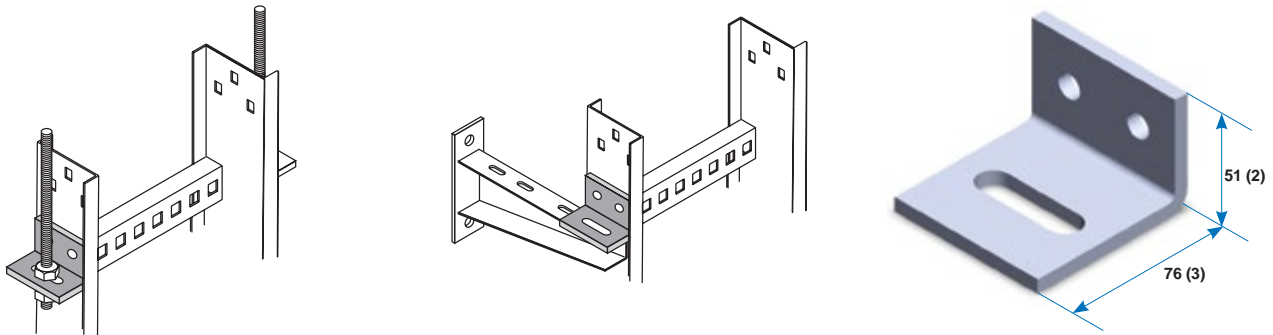


No incluye tuercas ni varilla • *Nuts or threaded rods are not included*

Soporte vertical • Vertical support

SV-1GI

- Material y acabado (ver pag 83) • *Material & finishes (see page 83)*
- Sufijo p/peralte (ver pag 58) • *Rail height suffix (see page 58)*
- Soporte vertical • *Vertical support*

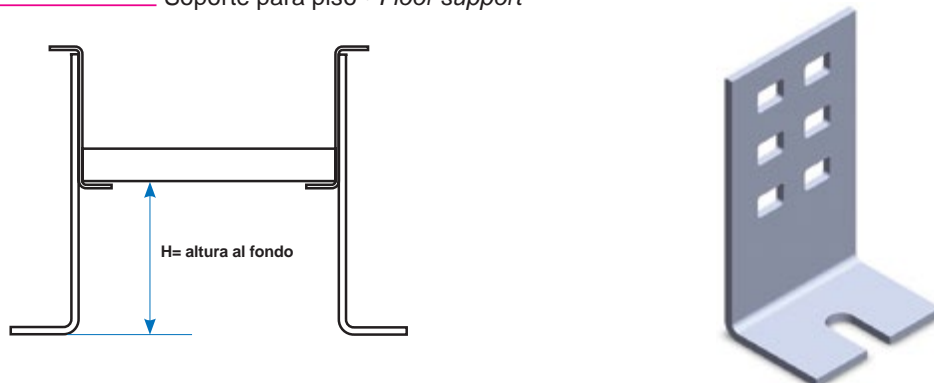


Para usarse con varilla roscada de 12.7 (1/2) no incluida • *For 12.7 (1/2) threaded rod not included*

Soporte para piso • Floor support

SP-30-1GI

- Material y acabado (ver pag 83) • *Material & finishes (see page 83)*
- Sufijo p/peralte (ver pag 58) • *Rail height suffix (see page 58)*
- Altura H al piso "mm" • *Height H from floor "mm"*
- Soporte para piso • *Floor support*

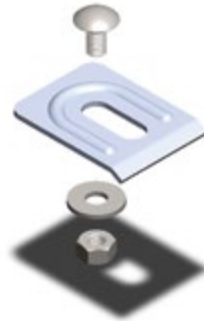


Todas las dimensiones en mm (pulg). • *All dimensions are in mm (in)*

Clema para charola • Hold-down clamp

CLAMP-112-GI

Material y acabado (ver pag 83) • *Material & finishes (see page 83)*
 Clema para charola • *Hold-down clamp*



Incluye tornillería • *Hardware included*

Clips angulares • Angular clamp

CAFA-434-GI

Material y acabado (ver pag 83) • *Material & finishes (see page 83)*
 Tipo de clip



Tipo sencillo
 No. catálogo CAFC-234



Tipo reforzado
 No. catálogo CAFL-334



Tipo ajustable
 No. catálogo CAFC-434

Cople para varilla roscada • Threaded coupling

CVR-38-GE

Material y acabado (ver pag 83 excepto GI) • *Material & finishes (see page 83 except GI)*
 Tamaño nominal • *Size*
 Cople para varilla roscada • *Threaded coupling*

Nº de catálogo <i>Catalog number</i>	Diámetro de varilla <i>Rod size</i>
CVR-38	9.5 (3/8)
CVR-12	12.7 (1/2)
CVR-58	15.9 (5/8)



Los sistemas de apoyo mostrados en esta sección deberán ser colocados de acuerdo a la norma NEMA VE-2

Frames shown in this section should be installed under NEMA VE 2 standard

Todas las dimensiones en mm (pulg). • *All dimensions are in mm (in)*

ESPECIFICACIÓN TÉCNICA

CHAROLA TIPO FONDO SÓLIDO

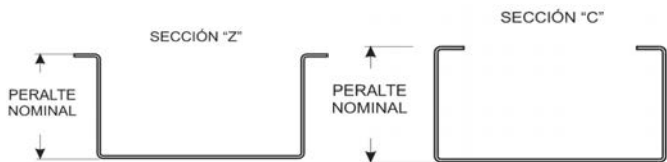
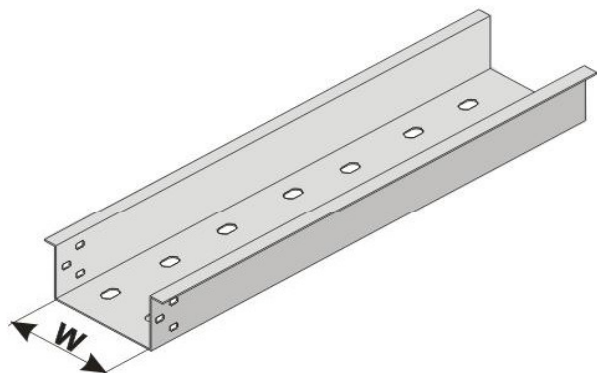
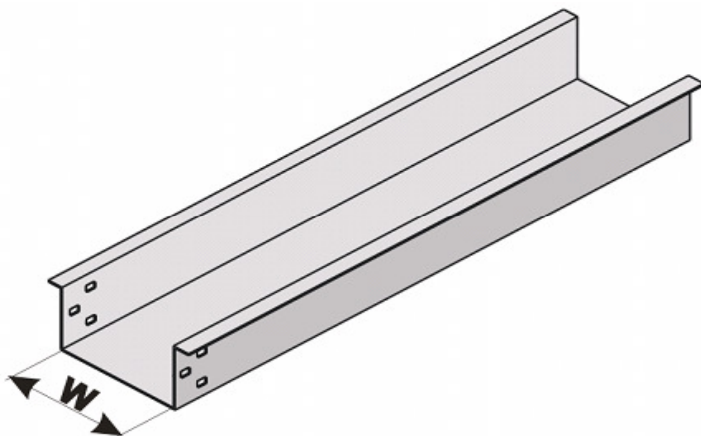
01. NORMAS DE FABRICACIÓN

NOM-001-SEDE-2005 NEMA-VE-2-2006
 NEMA-VE-1-2002
 NMX-J-511-ANCE
 ALUMINIUM STNADARD AND DATA 1997

2.0 CARACTERISTICAS GENERALES Y UTILIZACIÓN

LOS SISTEMAS DE SOPORTERIA PARA CABLE TIPO CHAROLA EN FONDO SOLIDO ESTÁN FABRICADOS EN LÁMINA DE ALUMINIO 3003 SU ESTRUCTURA CONSISTE EN UN FONDO SÓLIDO LISO O VENTILADO MEDIANTE ORIFICIOS, ESTE TIPO DE VENTILACIÓN PERMITE UNA MEJOR DISIPACIÓN DEL CALOR
 EL SERVICIO QUE PRESTA ESTA ESPECIFICADO POR NORMA PARA LA CONDUCCIÓN DE CABLES (ENERGÍA, VOZ Y DATOS, SEÑALIZACIÓN Y SONIDO) Y NO COMO ANDADOR O PASILLO, SEGÚN NORMA NMX-J-511-ANCE.

3.0 DISEÑO



CHZL-12-1 A

MATERIAL Y ACABADO
 SUFIJO P/PERALTE
 ANCHO
 TIPO DE FONDO
 TRAMO RECTO

LONGITUD ESTANDAR
3.05m (10ft) y 3.66m (12ft)

ALTURA DE CHAROLAS

SUFIJO PARA PERALTE	PERALTE NOMINAL MM (PULG.)
1	82.5 (3 1/4")
2	101.6 (4")
3	114.3 (4 1/2")
5	127.0 (5")
6	152.4 (6")

ANCHO W	PERFIL TIPO Z		PERFIL TIPO C	
	LISO	VENTILADO	LISO	VENTILADO
101.6 (4)	CHZL-04	CHZP-04	CHCL-04	CHCP-04
152.4 (6)	CHZL-06	CHZP-06	CHCL-06	CHCP-06
228.9 (9)	CHZL-09	CHZP-09	CHCL-09	CHCP-09
304.8 (12)	CHZL-12	CHZP-12	CHCL-12	CHCP-12
406.4 (16)	CHZL-16	CHZP-16	CHCL-16	CHCP-16
457.2 (18)	CHZL-18	CHZP-18	CHCL-18	CHCP-18
508.0 (20)	CHZL-20	CHZP-20	CHCL-20	CHCP-20
609.6 (24)	CHZL-24	CHZP-24	CHCL-24	CHCP-24
762.0 (30)	CHZL-30	CHZP-30	CHCL-30	CHCP-30
914.4 (36)	CHZL-36	CHZP-36	CHCL-36	CHCP-36

INCLUYE 2 CONECTORES Y TORNILLERÍA

4.0 CALIDAD

CHAROLA "TRAMO RECTO" FABRICADO EN LAMINA DE ALUMINIO, ACABADO NATURAL
 LIBRE DE FILOS CORTANTES, REBABAS, GOLPES, RAYONES, OXIDO U OTRA CARATERISTICA QUE DEMERITE SU CALIDAD